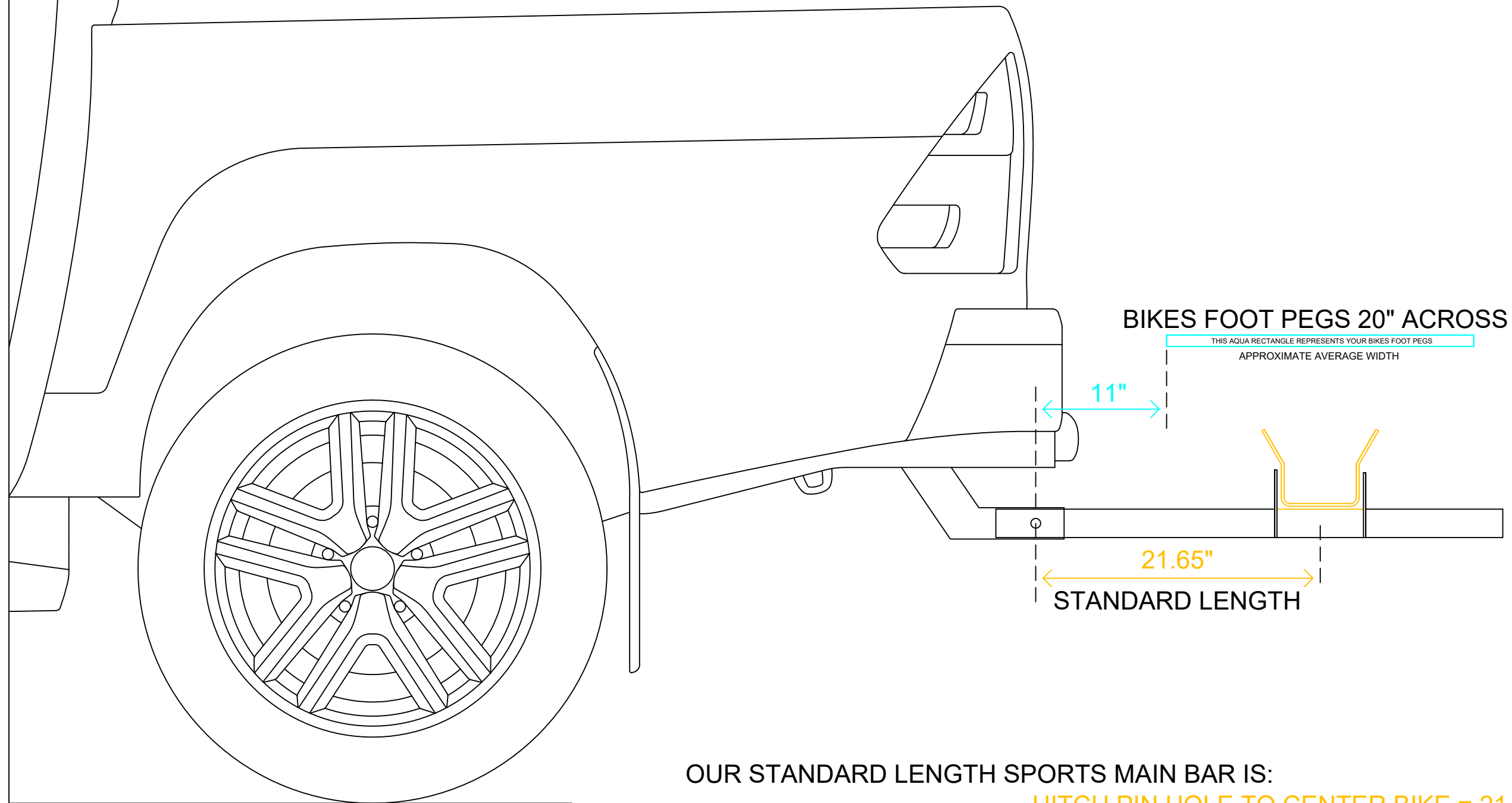


THE STANDARD LENGTH SPORTS MAIN BAR IS SUITABLE FOR MOST PICKUP AND SUV APPLICATIONS

SPORT BIKE HANDLEBARS 28" ACROSS

THIS PURPLE RECTANGLE REPRESENTS YOUR BIKES HANDLEBARS
APPROXIMATE AVERAGE WIDTH



BIKES FOOT PEGS 20" ACROSS

THIS AQUA RECTANGLE REPRESENTS YOUR BIKES FOOT PEGS
APPROXIMATE AVERAGE WIDTH

11"

21.65"

STANDARD LENGTH

OUR STANDARD LENGTH SPORTS MAIN BAR IS:

HITCH PIN HOLE TO CENTER BIKE = 21.65"

HITCH PIN HOLE TO BIKES INSIDE PEG = 11"

RACK N RIDE HITCH MOUNTED MOTORCYCLE CARRIER SPORT MAIN BAR STANDARD DIMENSIONS

HOW TO SELECT THE CORRECT LENGTH MAIN BAR FOR YOUR FLEETSIDE OR STYLESIDE CARGO BED PICKUP

ALL COPYRIGHT AND OTHER PROPERTY RIGHTS
CONTAINED HEREIN ARE THE PROPERTY OF RACK N
ROLL PTY LTD AND ARE NOT TO BE COPIED,
REPRODUCED OR DISTRIBUTED WITHOUT PRIOR
WRITTEN CONSENT OF RACK N ROLL PTY LTD

© RACK N ROLL PTY LTD