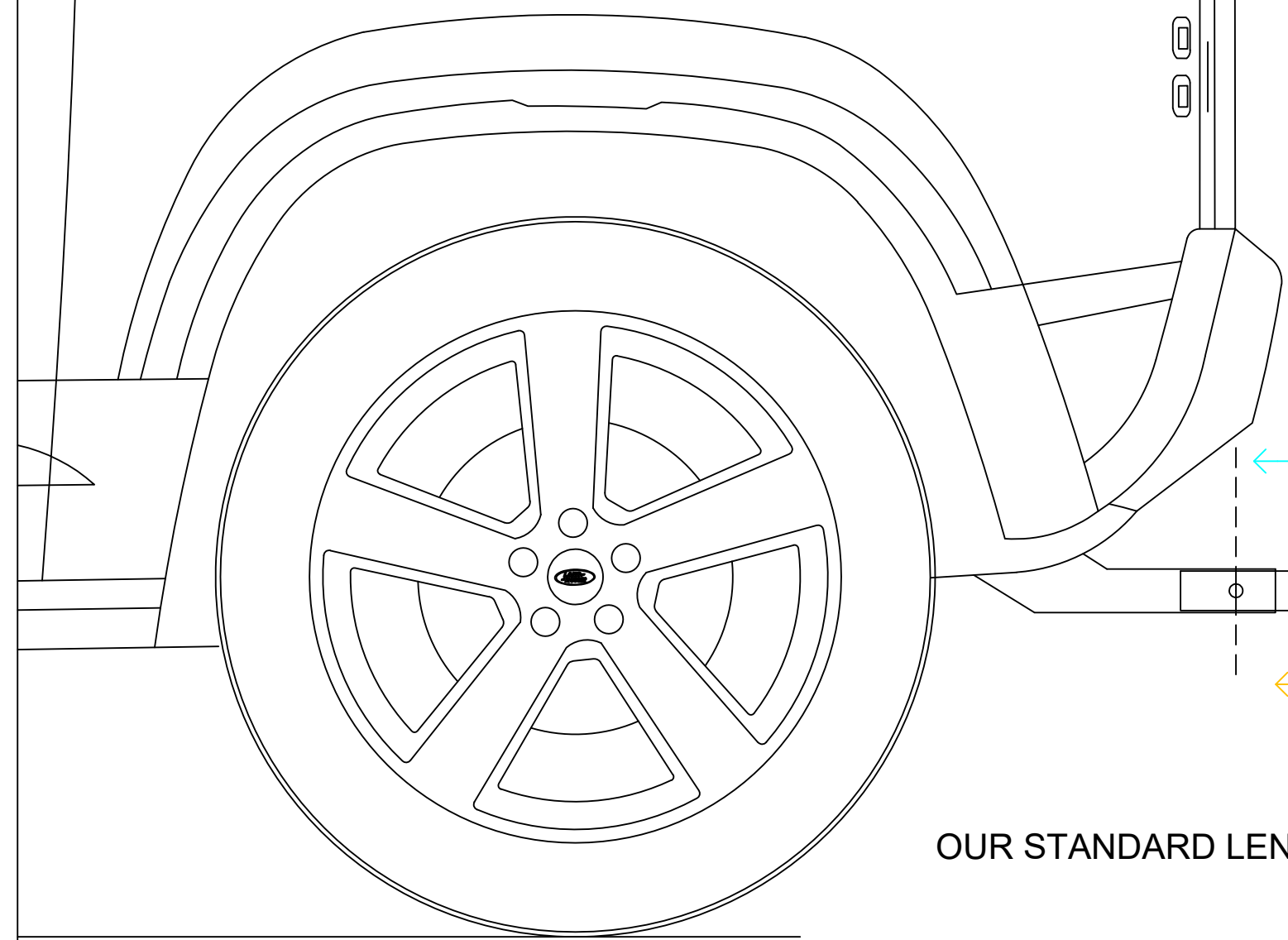


SPORT BIKE HANDLEBARS 28" ACROSS

THIS PURPLE RECTANGLE REPRESENTS YOUR BIKES HANDLEBARS
APPROXIMATE AVERAGE WIDTH

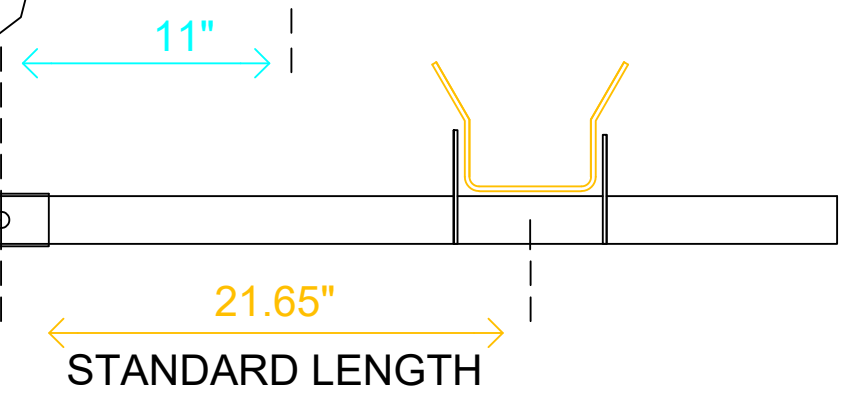
SUV's WITH NO REAR MOUNTED SPARE TIRE

STANDARD BAR LENGTH WORKS IF YOUR HITCH PIN HOLE IS FLUSH WITH THE REAR OF BODY
BODY NOT BUMPER, THE BUMPER MAY OVERHANG THE PIN A COUPLE OF INCHES



BIKES FOOT PEGS 20" ACROSS

THIS AQUA RECTANGLE REPRESENTS YOUR BIKES FOOT PEGS
APPROXIMATE AVERAGE WIDTH



OUR STANDARD LENGTH SPORTS MAIN BAR IS:

HITCH PIN HOLE TO CENTER BIKE = 21.65"

HITCH PIN HOLE TO BIKES INSIDE PEG = 11"

RACK N RIDE HITCH MOUNTED MOTORCYCLE CARRIER SPORTS MAIN BAR STANDARD DIMENSIONS

HOW TO SELECT THE CORRECT LENGTH MAIN BAR FOR YOUR SUV

ALL COPYRIGHT AND OTHER PROPERTY RIGHTS
CONTAINED HEREIN ARE THE PROPERTY OF RACK N
ROLL PTY LTD AND ARE NOT TO BE COPIED,
REPRODUCED OR DISTRIBUTED WITHOUT PRIOR
WRITTEN CONSENT OF RACK N ROLL PTY LTD

© RACK N ROLL PTY LTD