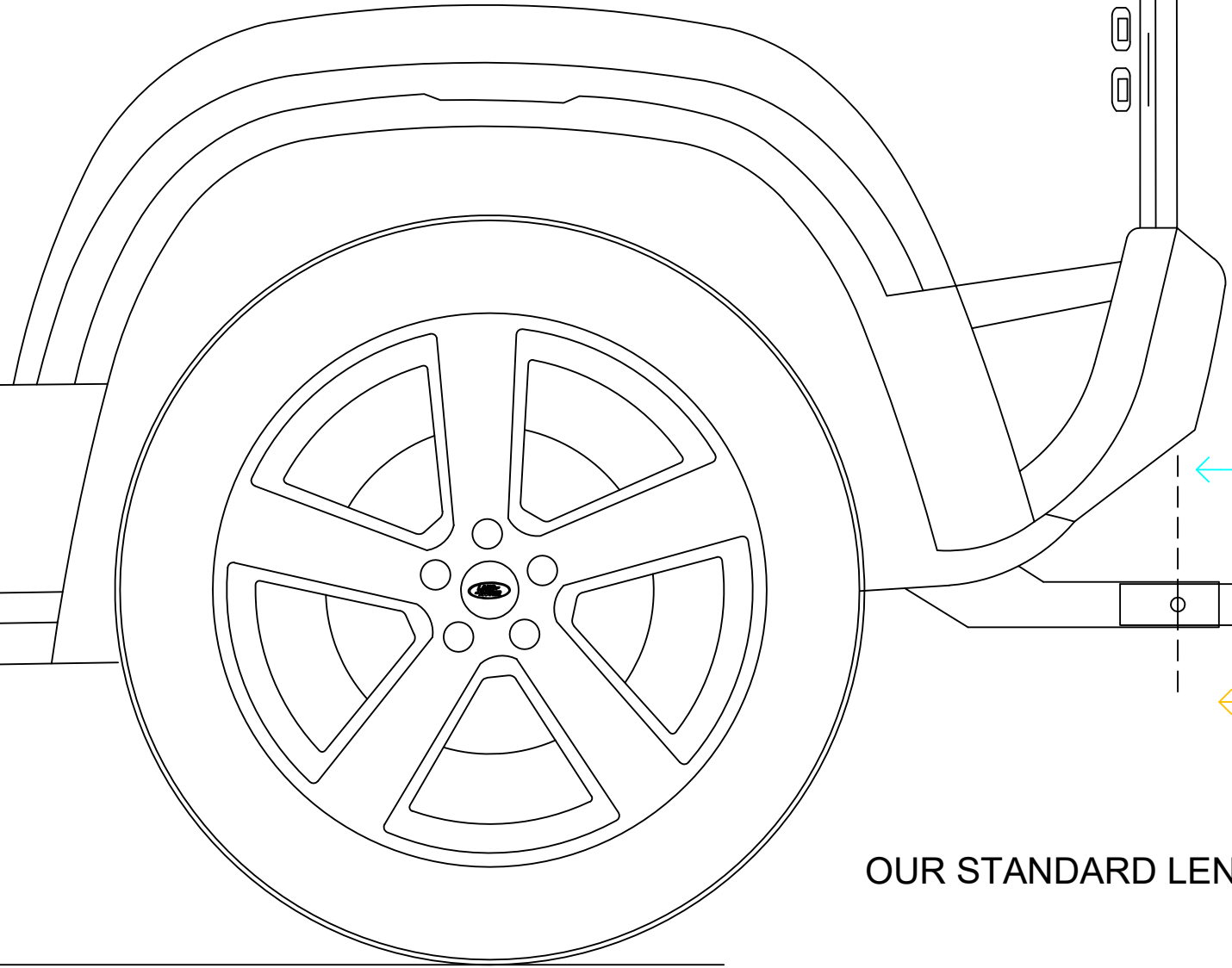


### MX BIKES HANDLEBARS 33.5" ACROSS

THIS PURPLE RECTANGLE REPRESENTS YOUR BIKES HANDLEBARS  
APPROXIMATE AVERAGE WIDTH

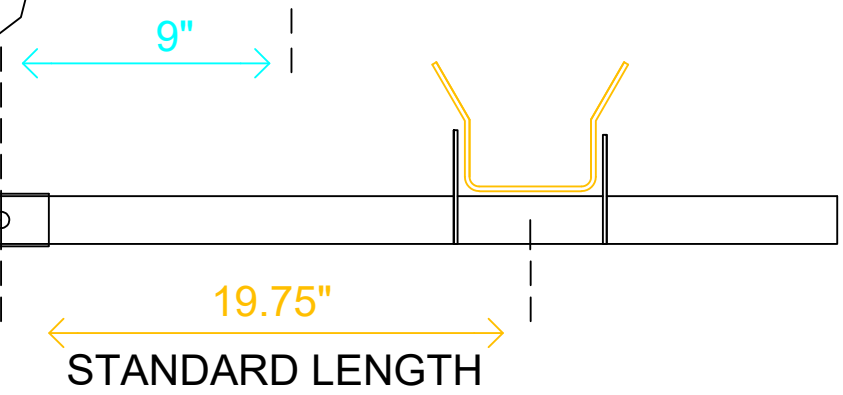
### SUV's WITH NO REAR MOUNTED SPARE TIRE

STANDARD BAR LENGTH WORKS IF YOUR HITCH PIN HOLE IS FLUSH WITH THE REAR OF BODY  
BODY NOT BUMPER, THE BUMPER MAY OVERHANG THE PIN A COUPLE OF INCHES



### BIKES FOOT PEGS 20" ACROSS

THIS AQUA RECTANGLE REPRESENTS YOUR BIKES FOOT PEGS  
APPROXIMATELY AVERAGE WIDTH



OUR STANDARD LENGTH MX MAIN BAR IS:

HITCH PIN HOLE TO CENTER BIKE = 19.75"

HITCH PIN HOLE TO BIKES INSIDE PEG = 9"

## RACK N RIDE HITCH MOUNTED MOTORCYCLE CARRIER MX MAIN BAR STANDARD DIMENSIONS

HOW TO SELECT THE CORRECT LENGTH MAIN BAR FOR YOUR SUV

ALL COPYRIGHT AND OTHER PROPERTY RIGHTS CONTAINED HEREIN ARE THE PROPERTY OF RACK N ROLL PTY LTD AND ARE NOT TO BE COPIED, REPRODUCED OR DISTRIBUTED WITHOUT PRIOR WRITTEN CONSENT OF RACK N ROLL PTY LTD

© RACK N ROLL PTY LTD