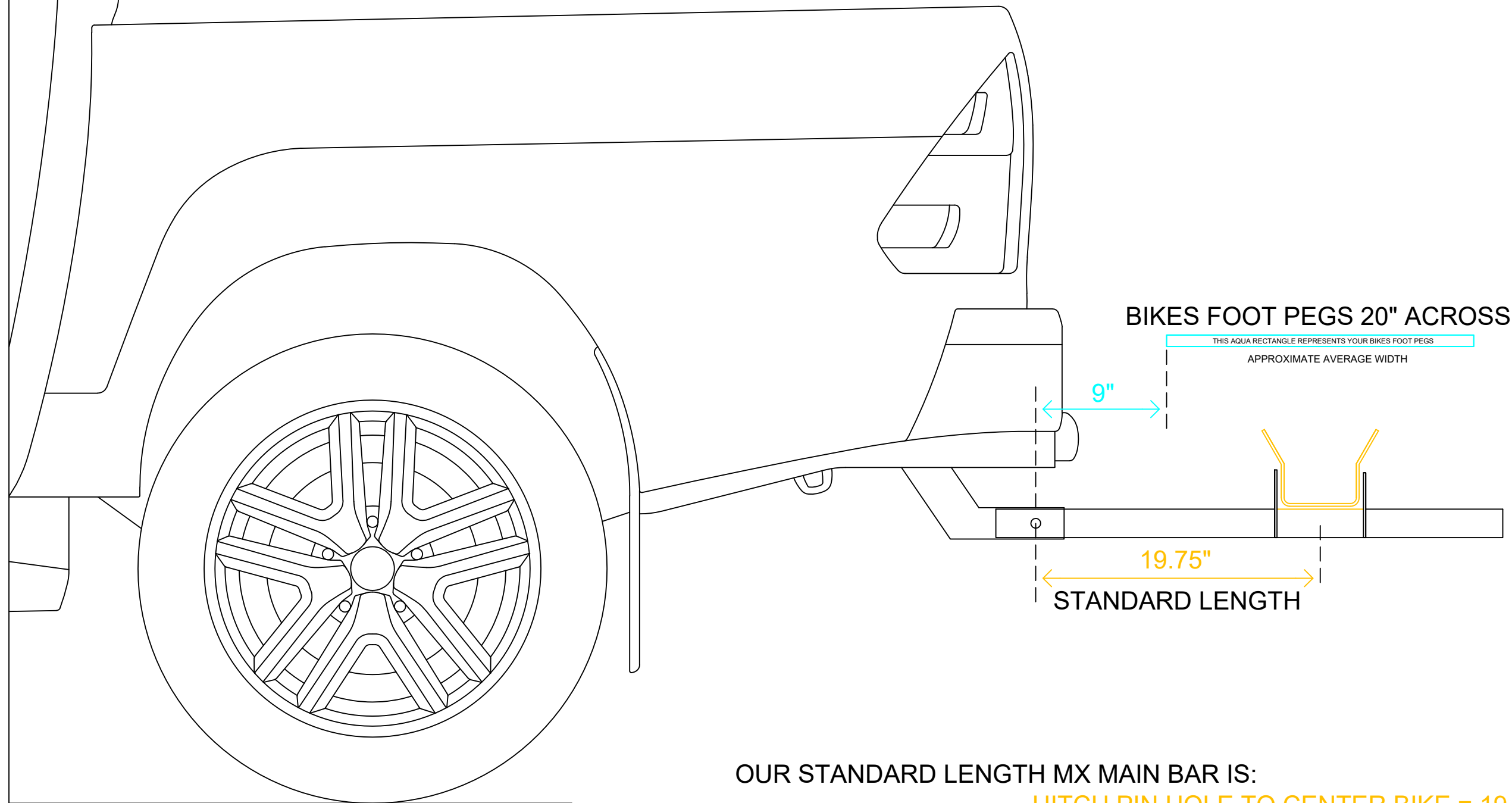


THE STANDARD LENGTH MAIN BAR IS SUITABLE FOR MOST PICKUP AND SUV APPLICATIONS

MX BIKES HANDLEBARS 33.5" ACROSS

THIS PURPLE RECTANGLE REPRESENTS YOUR BIKES HANDLEBARS

APPROXIMATE AVERAGE WIDTH



BIKES FOOT PEGS 20" ACROSS

THIS AQUA RECTANGLE REPRESENTS YOUR BIKES FOOT PEGS

APPROXIMATE AVERAGE WIDTH

9"

19.75"

STANDARD LENGTH

OUR STANDARD LENGTH MX MAIN BAR IS:

HITCH PIN HOLE TO CENTER BIKE = 19.75"

HITCH PIN HOLE TO BIKES INSIDE PEG = 9"

RACK N RIDE HITCH MOUNTED MOTORCYCLE CARRIER MX MAIN BAR STANDARD DIMENSIONS

HOW TO SELECT THE CORRECT LENGTH MAIN BAR FOR YOUR FLEETSIDE OR STYLE SIDE CARGO BED PICKUP

ALL COPYRIGHT AND OTHER PROPERTY RIGHTS CONTAINED HEREIN ARE THE PROPERTY OF RACK N ROLL PTY LTD AND ARE NOT TO BE COPIED, REPRODUCED OR DISTRIBUTED WITHOUT PRIOR WRITTEN CONSENT OF RACK N ROLL PTY LTD

© RACK N ROLL PTY LTD