

HOW TO MEASURE YOUR HITCH SIZE

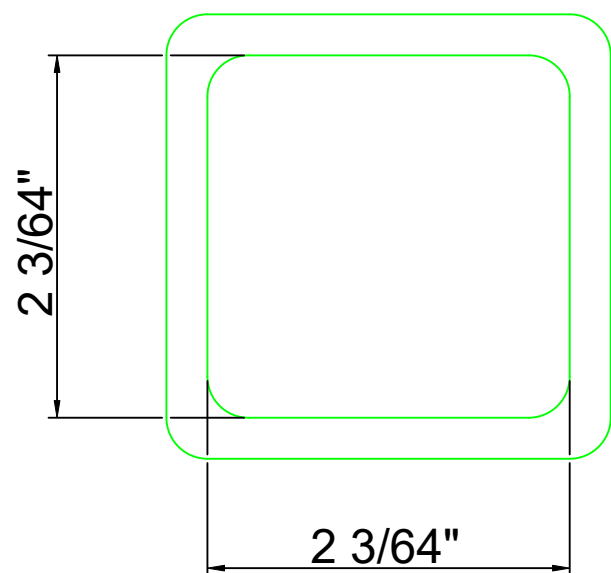
MEASURE THE INTERNAL SQUARE HOLE TOP TO BOTTOM OR SIDE TO SIDE

2" HITCH WILL MEASURE APPROX $2 \frac{3}{64}$ " to $2 \frac{3}{32}$ "

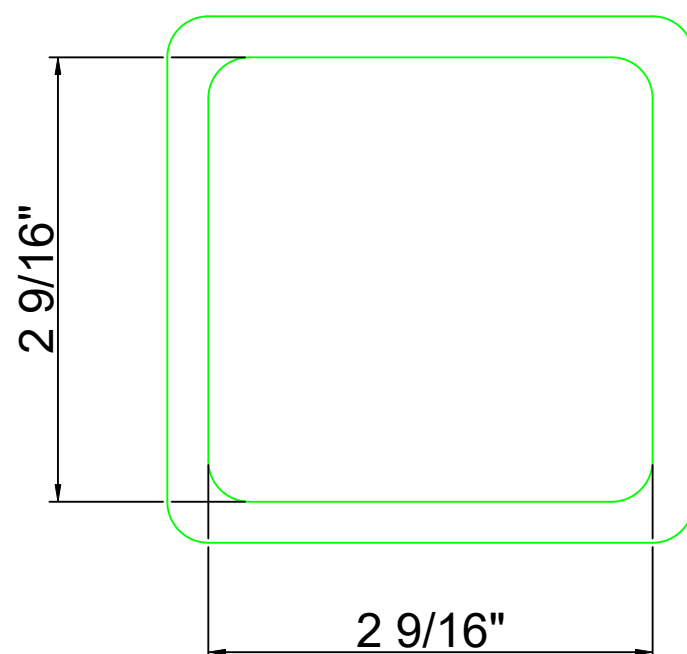
2.5" HITCH WILL MEASURE APPROX $2 \frac{9}{16}$ " to $2 \frac{19}{32}$ "

3" HITCH WILL MEASURE APPROX $3 \frac{1}{32}$ " to $3 \frac{5}{64}$ "

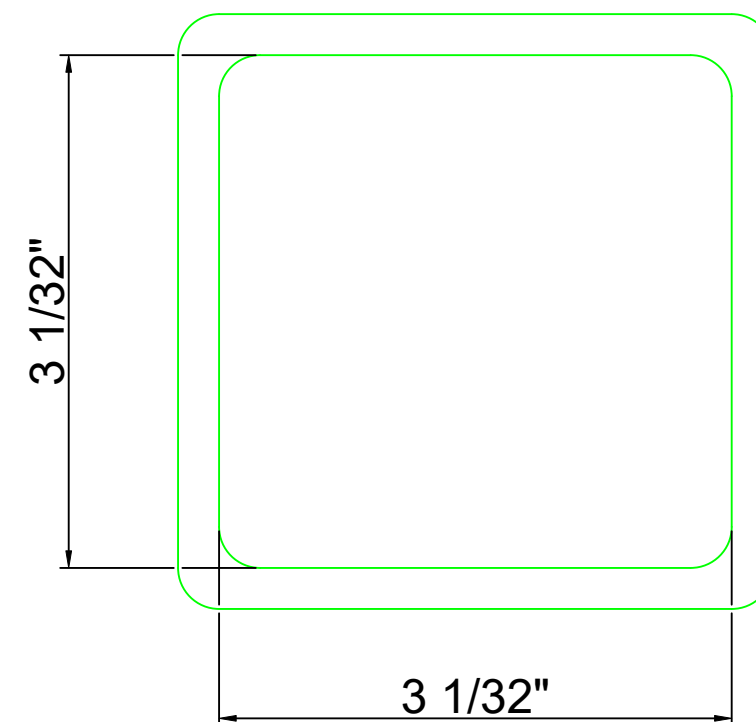
2" HITCH



2.5" HITCH



3" HITCH



RACK N RIDE HITCH MOUNTED MOTORCYCLE CARRIER MAIN BAR OPTIONS

SELECT THE CORRECT SIZE MAIN BAR TO SUIT YOUR VEHICLES HITCH REQUIREMENTS

ALL COPYRIGHT AND OTHER PROPERTY RIGHTS
CONTAINED HEREIN ARE THE PROPERTY OF RACK N
ROLL PTY LTD AND ARE NOT TO BE COPIED,
REPRODUCED OR DISTRIBUTED WITHOUT PRIOR
WRITTEN CONSENT OF RACK N ROLL PTY LTD

© RACK N ROLL PTY LTD